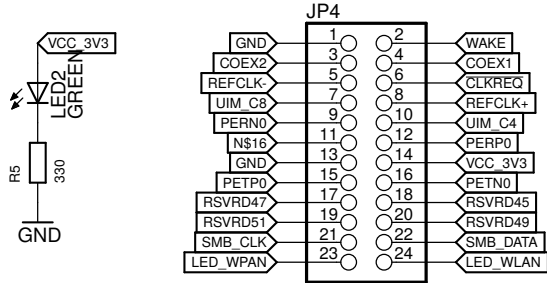
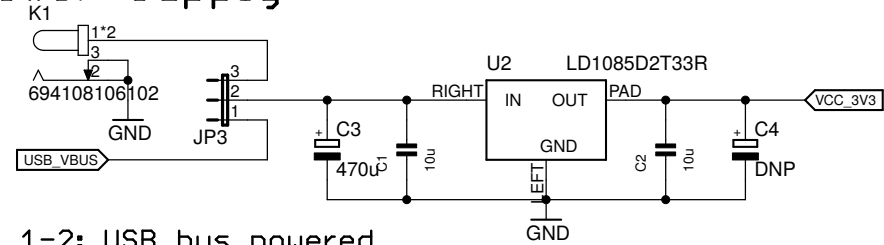


I/O Header

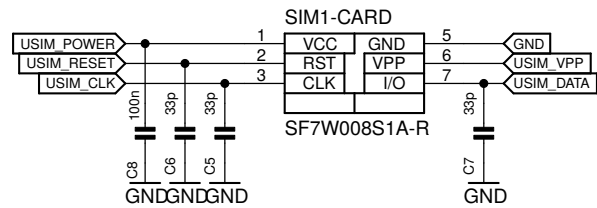


Power Supply

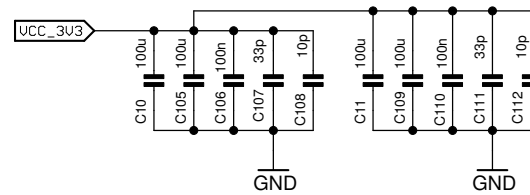


JP3 1-2: USB bus powered
JP3 2-3: external 5V supply

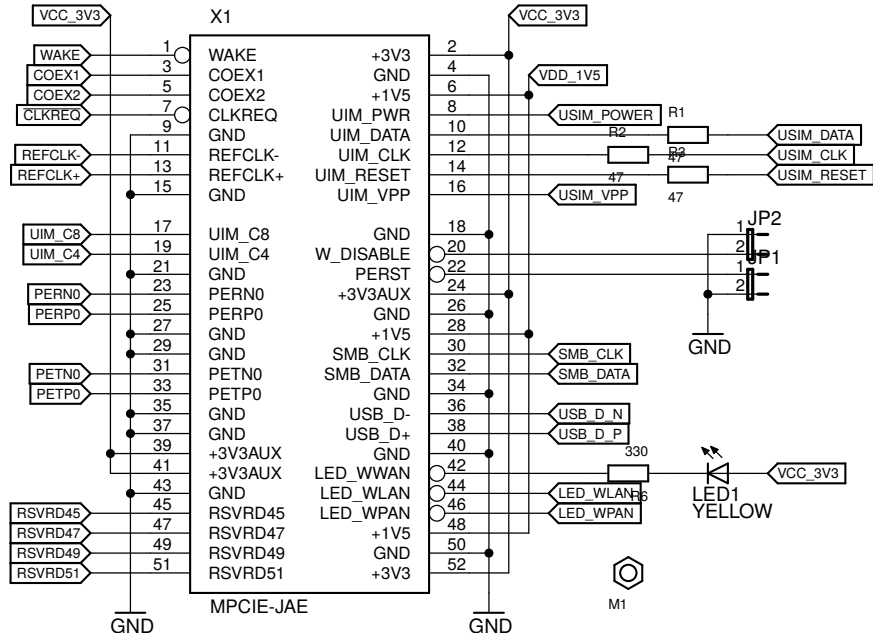
SIM Card Slot



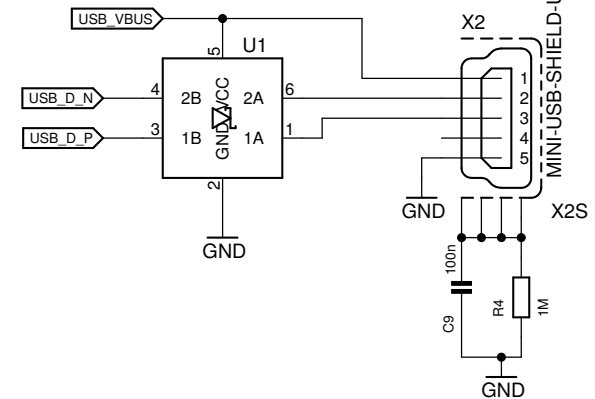
Blocking Capacitors



mPCIe Socket



USB Interface



miniPCIe breakout board
(C) 2016 by Harald Welte <laforge@gnumonks.org>

TITLE: mpcie-breakout

Document Number:

REV:

Date: 28.10.16 16:03

Sheet: 1/1