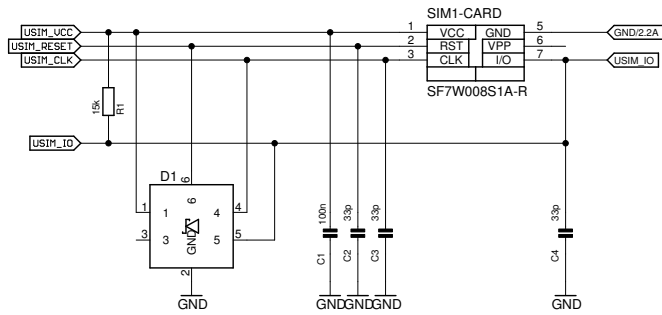
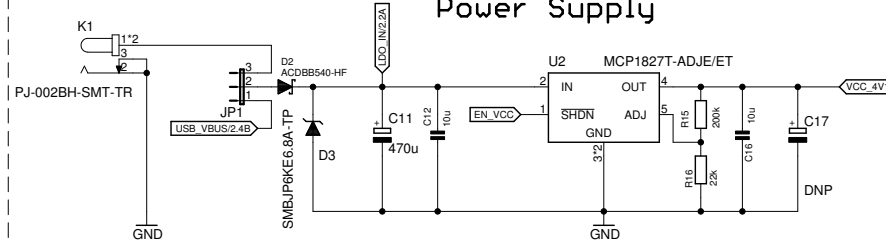


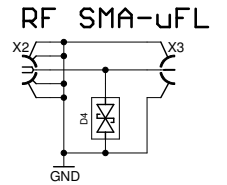
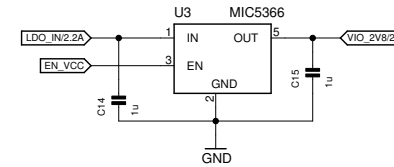
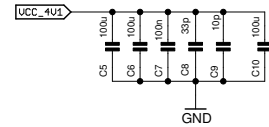
SIM Card Slot



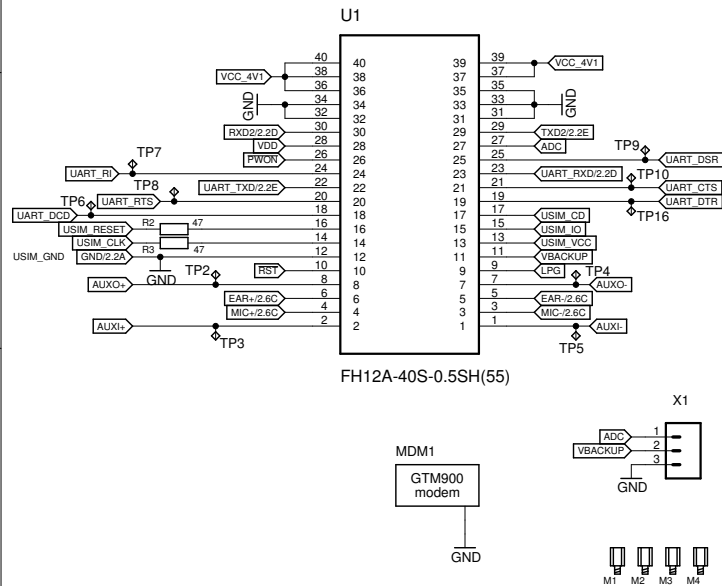
Power Supply



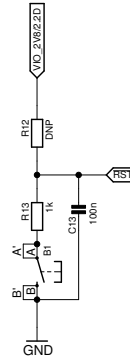
Blocking Capacitors



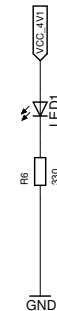
FPC socket



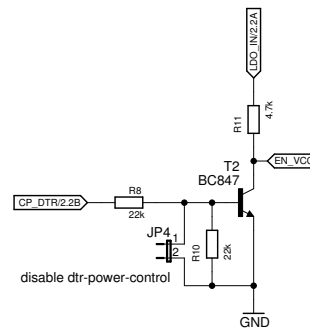
man. RST



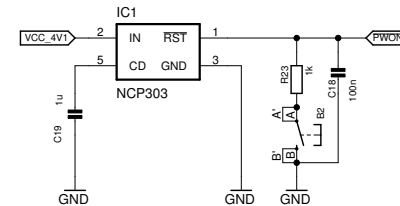
PWR LED



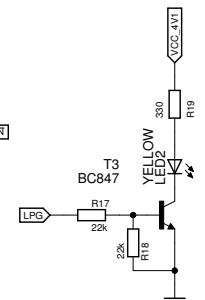
power-on via DTR



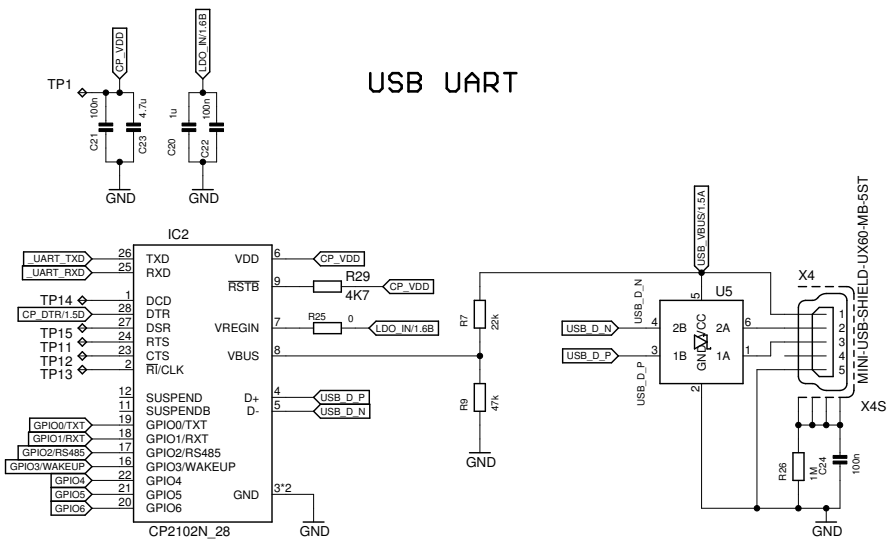
delayed PWON



MDM LED (LPG)

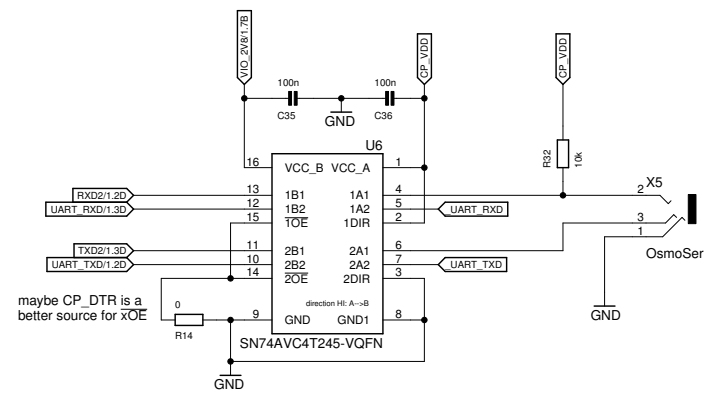


GTM900 breakout board (C) 2022 by systocom s.f.m.c	GTM900-breakout 2/21/22 8:09 PM Sheet: 1/2	v2
--	--	----

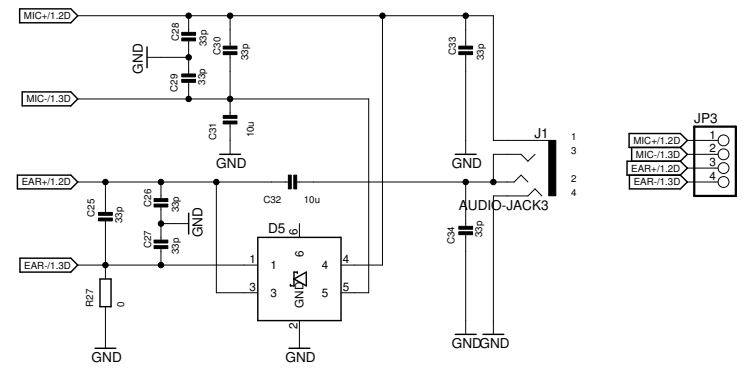


USB UART

level translator



audio i/o
(1st channel)



GTM900 breakout board (C) 2022 by systocom s.f.m.c	GTM900-breakout 2/21/22 8:09 PM Sheet: 2/2	v2
--	--	----