

ISDN Terminal Adapter Circuit IPAC PSB/PSF 2115

The ISDN Adapter Circuit IPAC integrates all necessary functions for host based ISDN access solution on a single chip. It includes the S-transceiver (Layer 1) an HDLC controller for the D-channel and two protocol controllers for each B-channel. The system integration is simplified by several host interface configurations selected via pin strapping.

1. Potential application

- ISDN PC-Cards/TA
- ISDN Data Terminal

2. Features:

- Single chip host ISDN solution
- Integrates S-transceiver, D-channel, B-channel protocol controller
- Replaces solutions based on ISAC-S TE PSB 2186 and HSCX-TE PSB 21525
- Easy adjustment of software using ISAC-S and HSCX-TE
- Various types of protocol support depending on operating mode (Non-auto mode, transparent mode)
- Efficient transfer of data blocks from/to system memory by DMA or interrupt request
- Enlarged FIFO buffers for B-channels (2x64 byte) esch channel and direction
- S-transceiver with TE, LT-S and LT-T modes
- D-channel FIFO buffers with 2x32 byte
- D-channel priority handler on IOM-2 for intelligent NT applications
- Programmable I/O interface with 2 interrupt inputs
- PCM interface for non IOM-2 compatible peripheral data controllers
- Programmable timer (1...63 ms) for continuous or single interrupts
- Reduced register address space due to indirect address mode option
- 3 programmable LED outputs, one is capable to indicate S bus activation status automatically
- 8-bit multiplexed or demultiplexed bus interface
- Siemens/Intel or Motorola µP interface

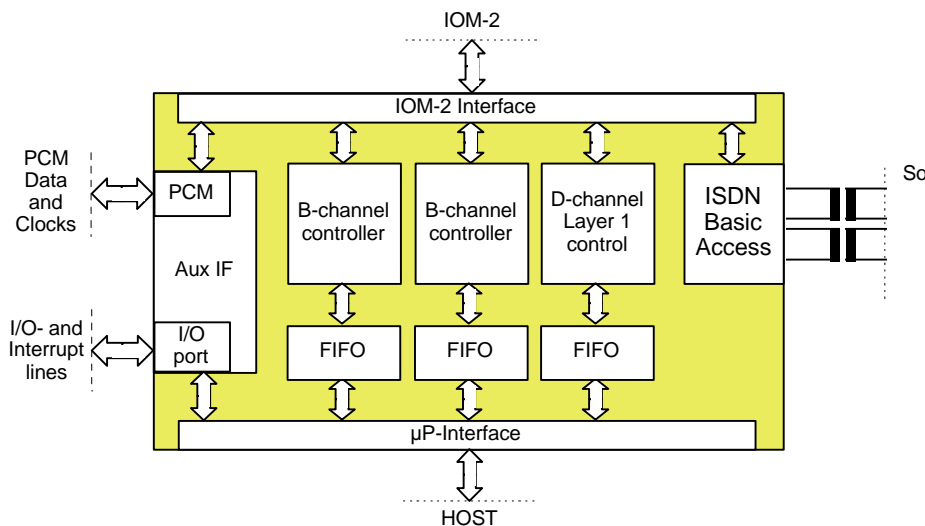
3. Packaging

Type	Ordering Code	Package
PSB 2115 H V1.1	Q67100-H6885	P-MQFP-64 (SMD)
PSB 2115 F V1.1	Q67100-H6884	P-TQFP-64 (SMD)
PSF 2115 H V1.1	Q67223-H1033	P-MQFP-64 (SMD)

4. Product status

Product	Step	Status	Changes
PSB 2115 H/F/PSF 2115	V1.1	ES available/ES in Q3/97	

5. Diagram



6. Documentation (Please contact our sales office for details)

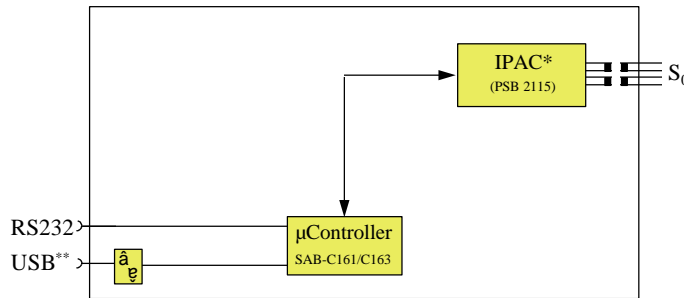
	<u>Date of issue/version</u>	<u>Type of material</u>
IPAC Ref. Board-Spec.	4/97	Copy
Delta Sheet PSF 2115	5/97	Copy
Preliminary Data	3/97	Copy
Article: IPAC makes ISDN affordable	1/97	B118-H7078-x-x-7600
Preiswerte ISDN-Endgeräte durch IPAC	1/97	B118-H7078

7. Development and support tools

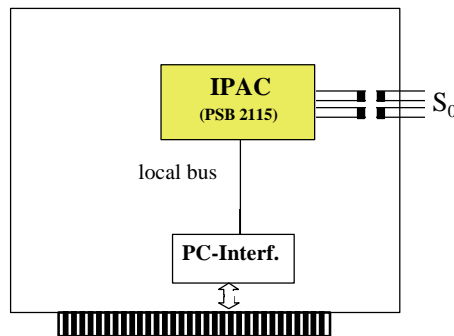
	<u>Availability</u>	<u>Ordering number</u>
SIPB72115 IPAC Ref. Board S-only, complete package	8/97	Q67100-H6649
SIPB72115 IPAC Ref. Board S- and U-Interface	9/97	Q67220-H1024
SIPB72115 IPAC Terminal Adapter Package (by Stollmann)	10/97	Q67220-H1048

8. Applications

- ISDN Terminal adapter



- One chip ISDN-PC Card



- Multiline PC-Adapter

